

Roller Block up to 5 t – SIR

Perfect girth welds

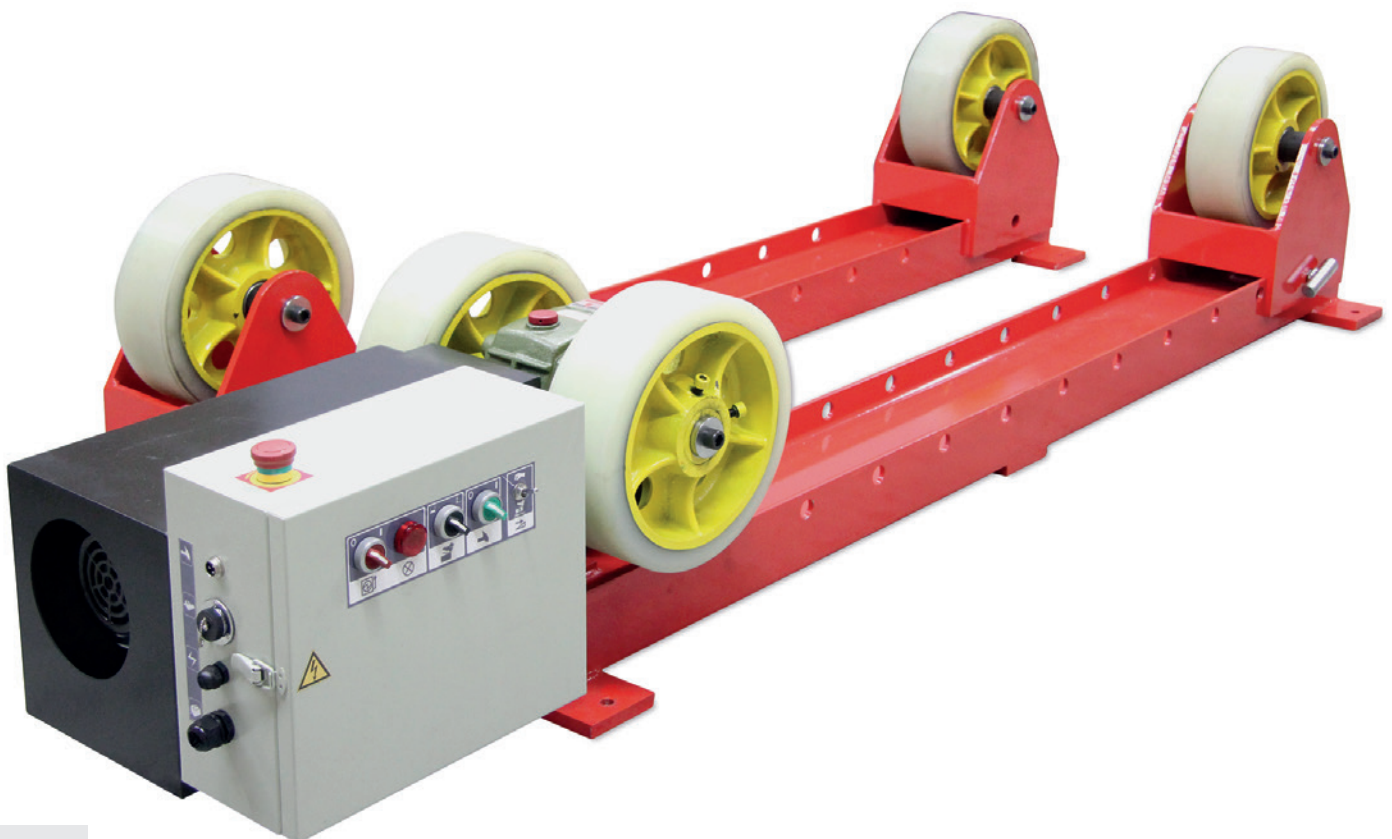
The SIR series covers many workpiece diameters. The distance between the rolls can be increased or reduced via plug connection. The strong drive unit allows a smooth and continuous turning movement also with low speed.

Scope of delivery:

- 1 Control unit (integrated)
- 1 Foot switch
- 1 Cable remote control

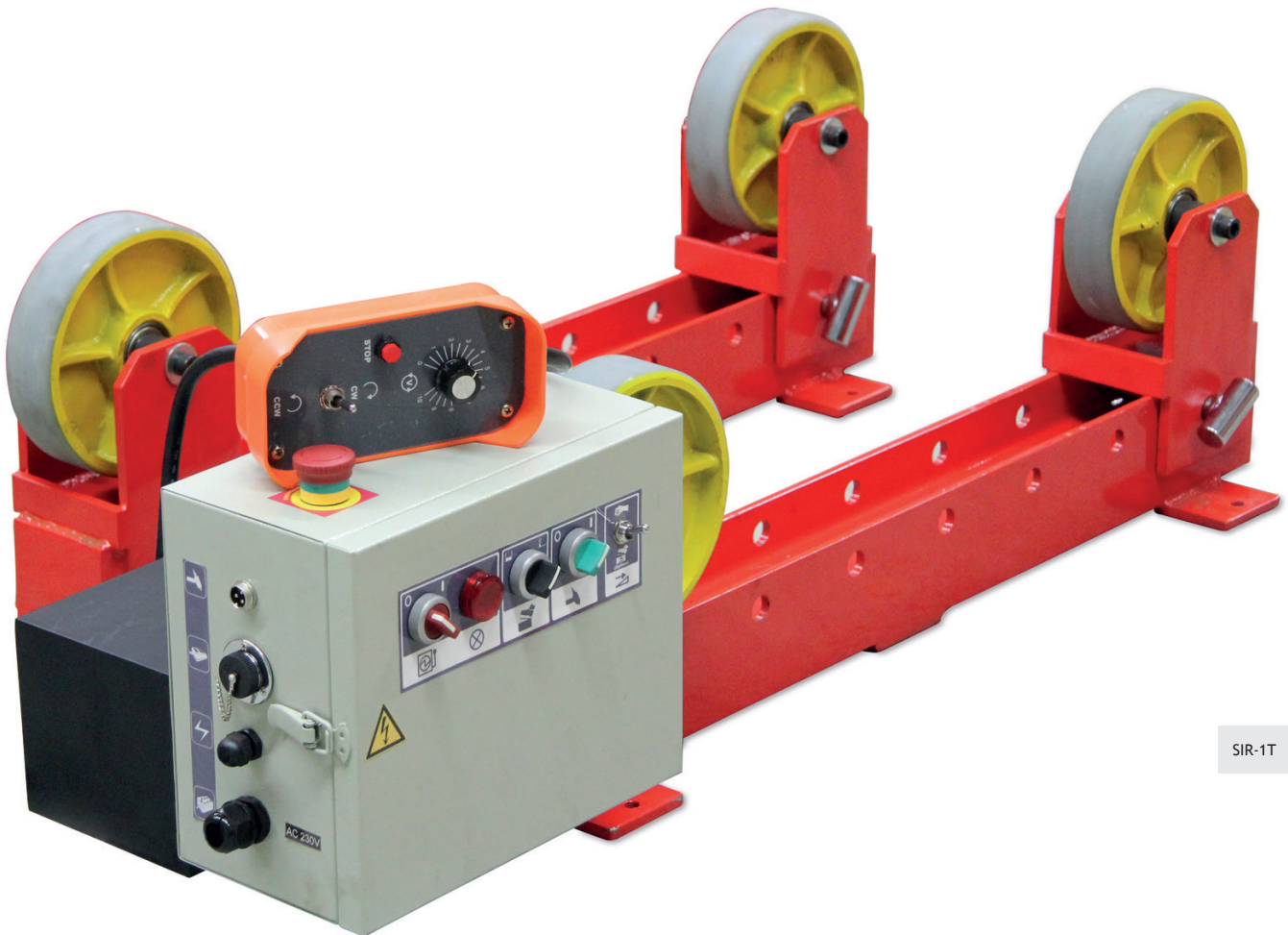
Features

- Consisting of drive unit and idler unit.
- Smooth and continuous turning movement also at low speed.
- PU-rollers.
- Container diameter is fast and easily adjustable via plug connection.
- Hand-held remote control (3m) for the adjustment of speed and cw/ccw movement.
- Foot switch.
- Compact and robust design; easy to operate.



SIR-5T

Roller Block up to 5 t – SIR

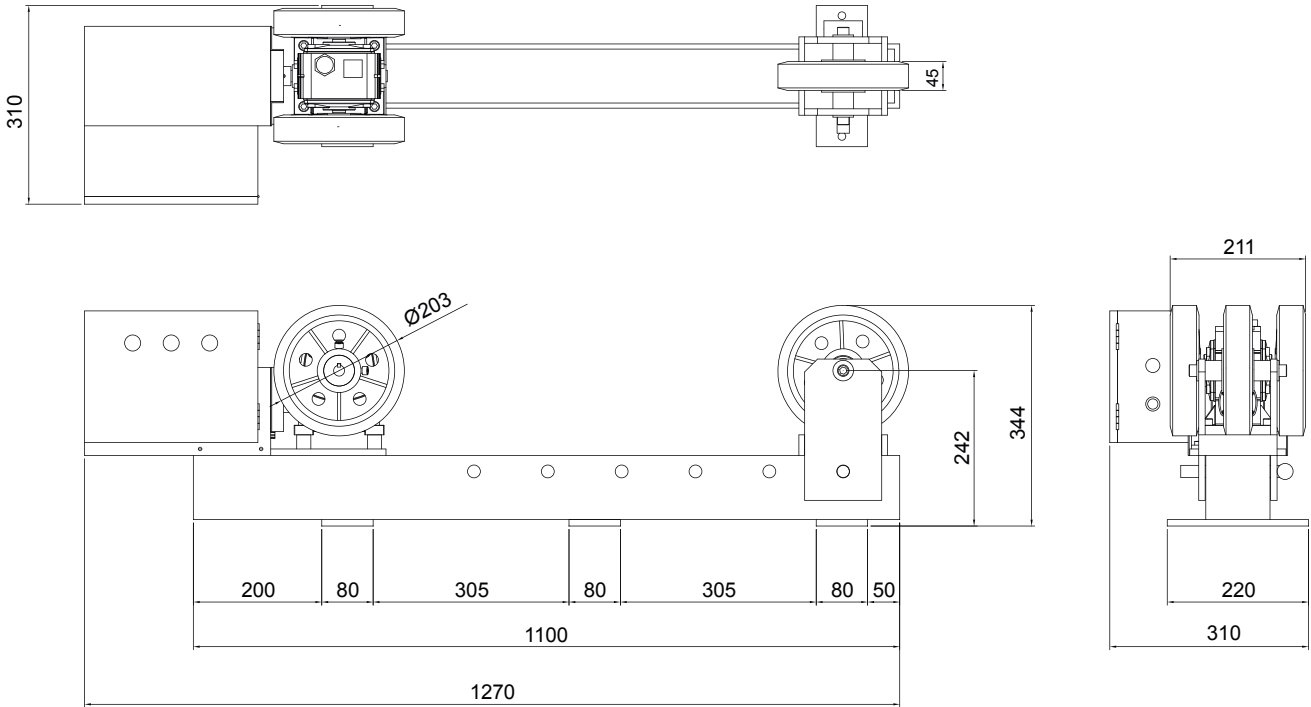


SIR-1T

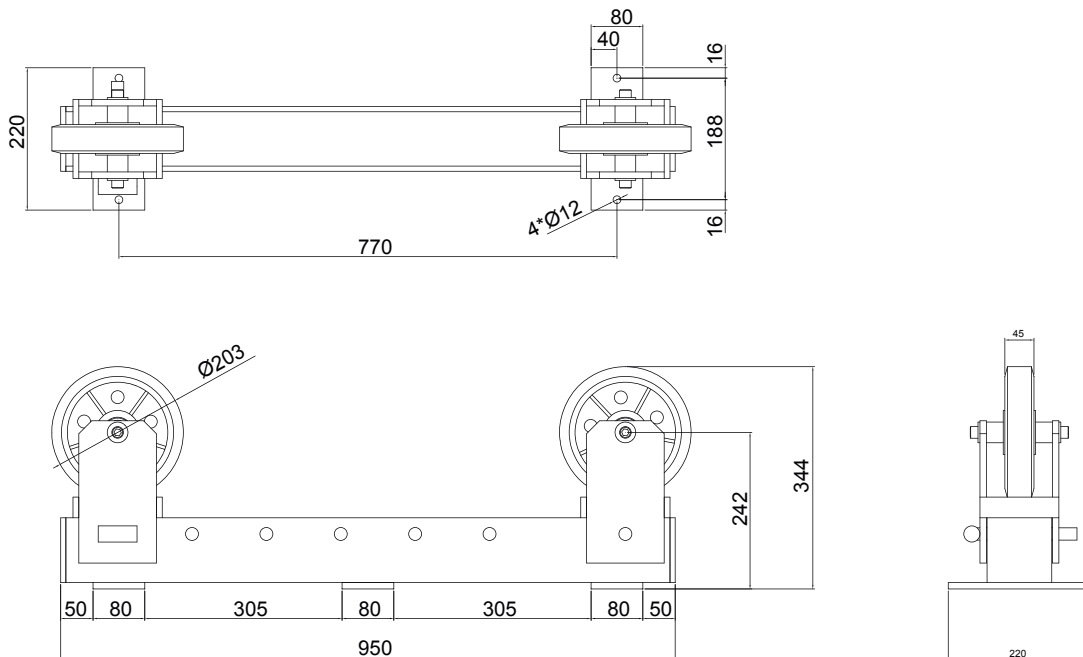
Model	SIR-1T	SIR-3T	SIR-5T
Supply voltage	AC 230 V/50 Hz	AC 230 V/50 Hz	AC 230 V/50 Hz
Max. load	1 t	3 t	5 t
Workpiece diameter	50 – 1.500 mm	150 – 2.000 mm	150 – 2.500 mm
Roller speed	180 – 1.800 mm/min.	120 – 1.200 mm/min.	120 – 1.200 mm/min.
Roller size	200 x 50 mm	250 x 75 mm	300 x 100 mm
Max. thermal loading	up to 80° C	up to 80° C	up to 80° C
Weight	100 kg	154 kg	300 kg
Measurements (LxW) mm	950 x 344	1.510 x 250 mm	24.50 x 500 mm
Item no.	71821160	71821161	71823162

Roller Block up to 5 t – SIR

Size SIR-1, driven unit

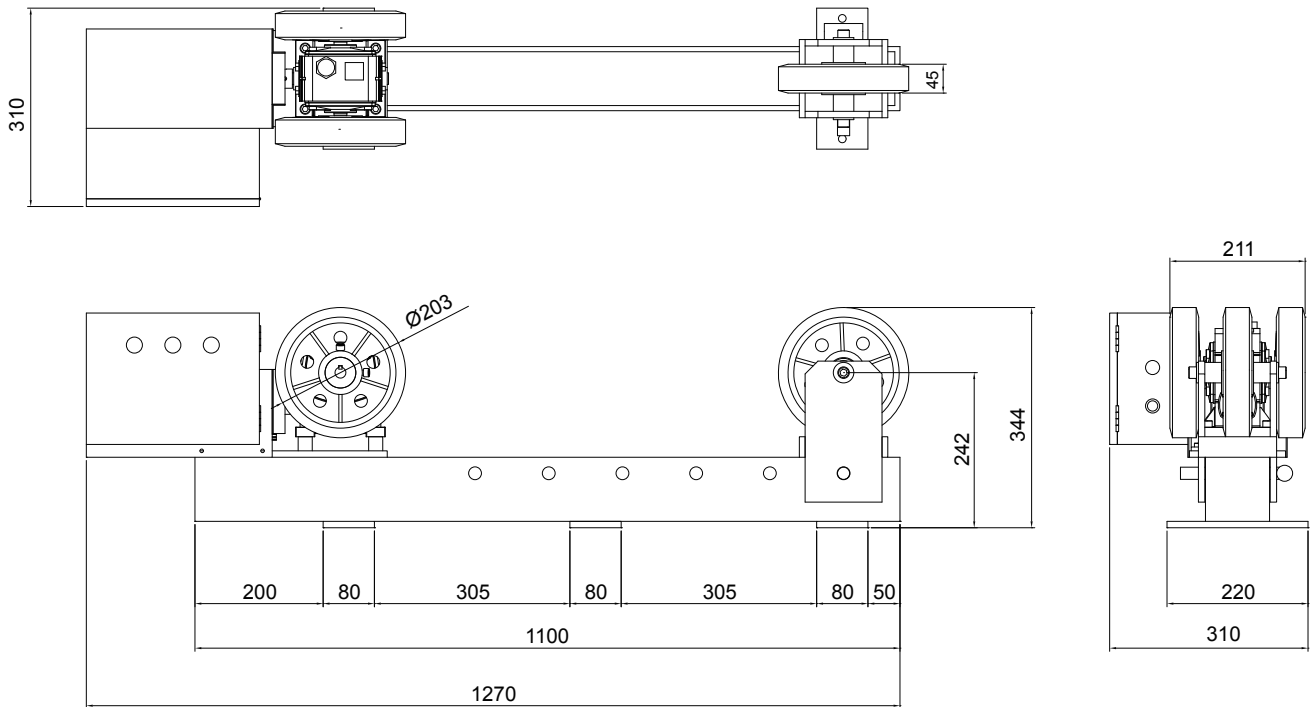


Size SIR-1, idler

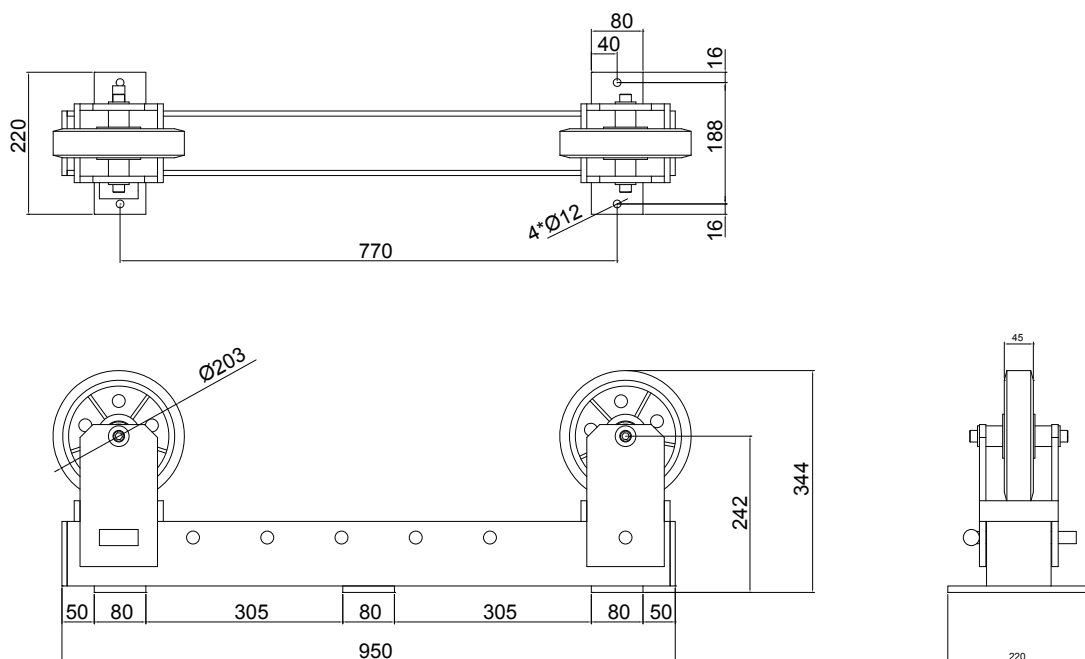


Roller Block up to 5 t – SIR

Size SIR-3, driven unit

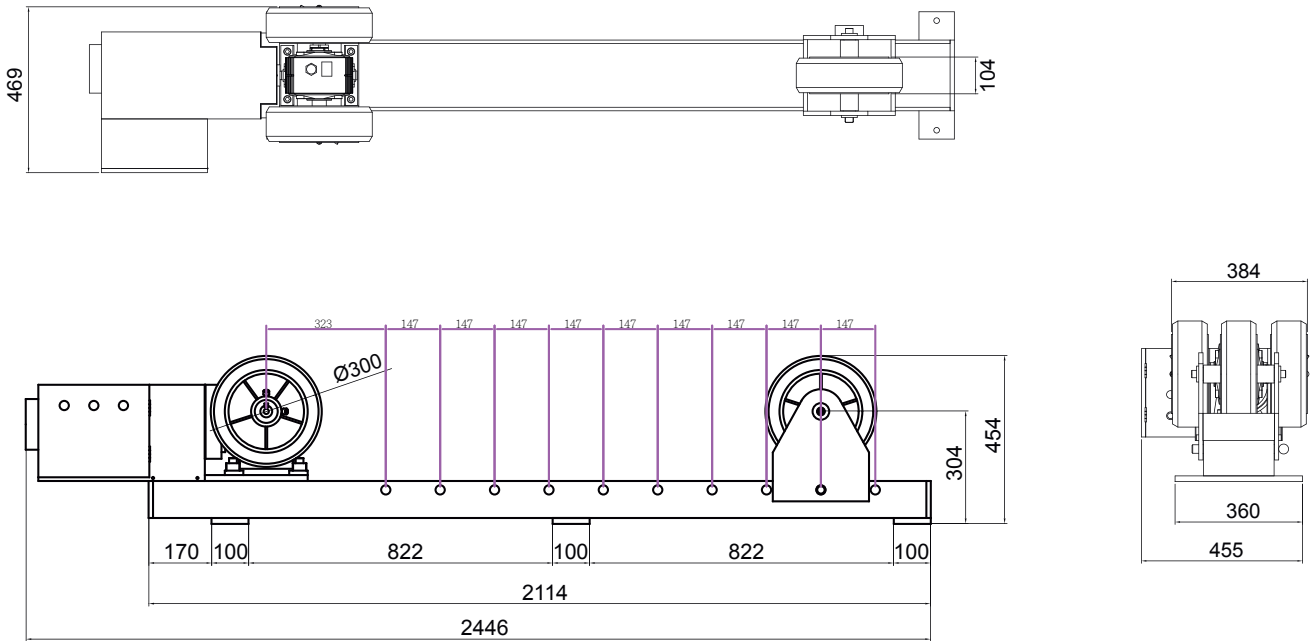


Size SIR-3, idler



Roller Block up to 5 t – SIR

Maße SIR-5, driven unit



Size SIR-5, idler

